

TARA xTOOL Thermostat module with 3 valves - Brushed Durabronss (23kt Gold)

TARA

ST 060 115 4892



- cover plate Ø 123 mm
- rosette Ø 60 mm
- temperature control handle with safety limit stop at 38°C
- thermostat cartridge
- 3x head part with cut-to-length spindle and sleeve

	Brushed Durabronss (23kt Gold)	ST 060 115 4892-28
	Chrome	ST 060 115 4892-00
	Brushed Platinum	ST 060 115 4892-06
	Platinum	ST 060 115 4892-08
	Dark Chrome	ST 060 115 4892-19
	Matte Black	ST 060 115 4892-33
	Brushed Champagne (22kt Gold)	ST 060 115 4892-46
	Champagne (22kt Gold)	ST 060 115 4892-47
	Brushed Chrome	ST 060 115 4892-93
	Brushed Dark Platinum	ST 060 115 4892-99

Individual components of this set

You need the following components for this set

3x 36 607 892-28



1x 36 503 892-28





TARA xTOOL Thermostat module with 3 valves - Brushed Durabronss (23kt Gold)

TARA

ST 060 115 4892

TARA xTOOL Thermostat module with 3 valves - Brushed Durabronz (23kt Gold)

TARA


ST 060 115 4892

- rosette Ø 55 mm
- head part with cut-to-length spindle and sleeve

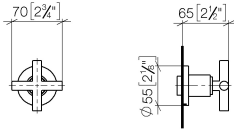


	Brushed Durabronz (23kt Gold)	36 607 892-28
	Chrome	36 607 892-00
	Brushed Platinum	36 607 892-06
	Platinum	36 607 892-08
	Dark Chrome	36 607 892-19
	Matte Black	36 607 892-33
	Brushed Champagne (22kt Gold)	36 607 892-46
	Champagne (22kt Gold)	36 607 892-47
	Brushed Chrome	36 607 892-93
	Brushed Dark Platinum	36 607 892-99

Required miscellaneous

	Wall valve 1/2" - <ul style="list-style-type: none"> • max. recess depth 145 mm • min. recess depth 85 mm 	35 607 970 90
--	---	---------------

ST 060 115 4802
mm [inches]



Certificates

DVGW_DW-
6501DN0116.

WRAS_2011026.

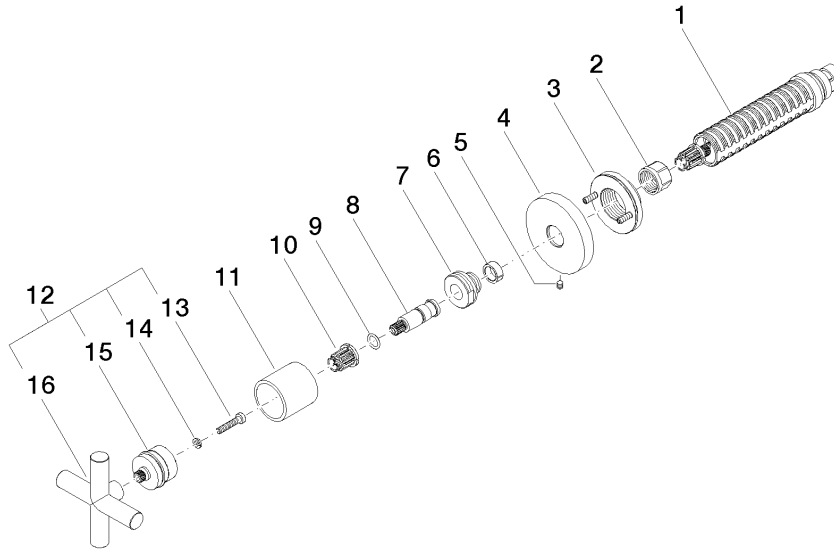
LGA_29931.

WRAS_2010066.

DVGW_DW-
6512DN0706.

LGA_29932.

ST 060 115 4892



Spare parts list

No.	Item Number	Name	Quantity used	Delivery time
1	90 90 03 143 00 90	top	1	2
2	90 23 30 023 00 90	nut	1	2
3	90 21 02 108 00 90	disc	1	2
4	09 27 89 108-28	rosette	1	20
5	90 31 11 007 00 90	pin	1	2
6	90 14 15 020 03 90	ring	1	2
7	09 24 05 002 90	nipple	1	2
8	09 29 06 022 90	spindle	1	2
9	90 14 10 060 00 90	seal	1	2
10	90 12 12 002 00 90	fixing cap	1	2
11	09 21 02 144-28	sleeve	1	20
12	90 20 89 010 10-28	handle	1	20
13	90 30 30 075 00 90	screw	1	2
14	90 30 11 029 00 90	disc	1	2
15	90 12 12 007 00-28	base	1	20
16	09 20 89 010-28	handle	1	20

TARA xTOOL Thermostat module with 3 valves - Brushed Durabronze (23kt Gold)

TARA

ST 060 115 4892



- cover plate Ø 123 mm
- temperature control handle with safety limit stop at 38°C
- thermostat cartridge

	Brushed Durabronze (23kt Gold)	36 503 892-28
	Chrome	36 503 892-00
	Brushed Platinum	36 503 892-06
	Platinum	36 503 892-08
	Dark Chrome	36 503 892-19
	Matte Black	36 503 892-33
	Brushed Champagne (22kt Gold)	36 503 892-46
	Champagne (22kt Gold)	36 503 892-47
	Brushed Chrome	36 503 892-93
	Brushed Dark Platinum	36 503 892-99

Required miscellaneous



xTOOL Concealed thermostat module without volume control - 35 503 970 90
 •max. recess depth 160 mm
 •min. recess depth 95 mm

Recommended miscellaneous



xGRID Attachment set for integrating in the dry wall construction - 12 340 970 90

Required miscellaneous



xGRID Installation track 555 mm - 12 360 970 90

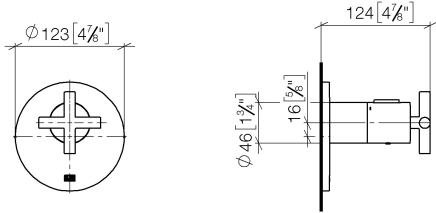


TARA xTOOL Thermostat module with 3 valves - Brushed Durabronss (23kt Gold)

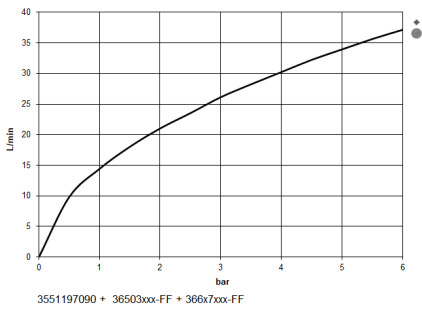
TARA

ST 060 115 4892

ST 060 115 4802
mm [inches]



Flow rate chart



Certificates

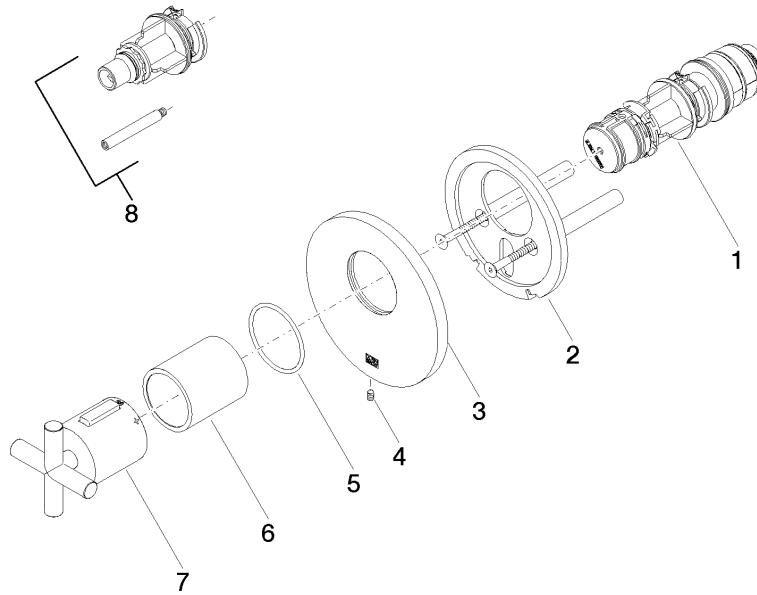
WRAS_2011026.

LGA_29931.

LGA_29930.

LGA_29932.

ST 060 115 4892



Spare parts list

No.	Item Number	Name	Quantity used	Delivery time
1	90 15 02 065 00 90	cartridge	1	2
2	90 11 01 196 00 90	base	1	2
3	09 11 02 537-28	cover	1	20
4	09 31 11 048 90	pin	1	2
5	90 14 10 049 00 90	seal	1	2
6	90 21 02 112 00-28	sleeve	1	20
7	90 17 33 027 00-28	handle	1	20
8	12 178 970 90	Extension 46 mm -	1	2